

**Type:** Compression (Spoke Type)

**Material:** Stainless Steel / Alloy Steel

**Protection:** IP 68

**Features:** Anti-Corrosion  
Low Profile

**Application:** Truck & Silo Scales  
Hopper Weigher  
Industrial Weighers

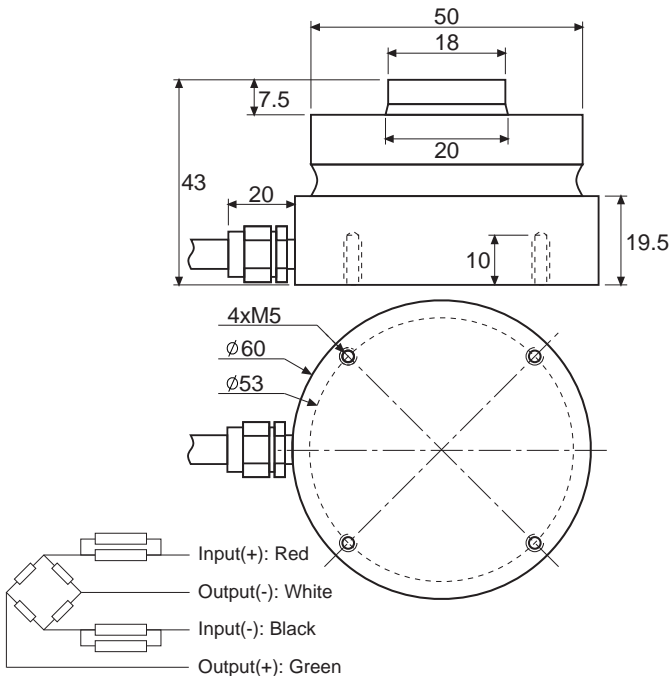


*Specifications:*

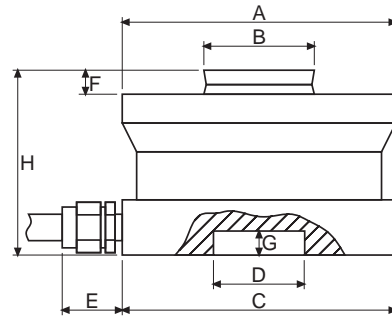
Capacity	t	1 / 2.2 / 3.3 / 4.7 / 10 / 15 / 22 / 33 / 47 / 68 / 100 / 150
Accuracy Class		<b>C3</b>
Max. Number of Verification Intervals	$n_{max}$	3000
Minimum Load cell Verification Interval	$V_{min}$	$E_{max}/10000$
Temperature Effect on Zero	%FS/10°C	$\leq \pm 0.018$
Temperature Effect on Sensitivity	%FS/10°C	$\leq \pm 0.020$
Combined Error	%FS	$\leq \pm 0.025$
Creep	%FS	$\leq \pm 0.019$
Output Sensitivity	mv/v	$2.85 \pm 0.015$
Input Resistance	$\Omega$	$1450 \pm 10$
Output Resistance	$\Omega$	$1405 \pm 5$
Insulation Resistance	M $\Omega$	$\geq 5000$
Zero Balance	%FS	1.0
Temperature, Compensated	°C	-10 ~ +50
Temperature, Operating	°C	-30 ~ +70
Excitation, Recommended	v	10 ~ 12(DC)
Safe Overload	%FS	150
Ultimate Overload	%FS	200
Standard Cable Length	m	8 (14.7t) , 12 (10-33t) , 16 (47-150t)

*Dimensions:*

1~4.7t



10~150t



CAP.(t)	A	B	C	D	E	F	G	H
10 - 22	75	30	75	25	20	6.5	7	50
33	95	40	95	25	20	10	7	65
47	130	60	130	25	20	14	7	75
68	130	60	130	25	20	14	7	85
100	150	70	150	25	20	16	7	90
150	150	70	150	25	20	16	7	100

All dimensions: mm.