

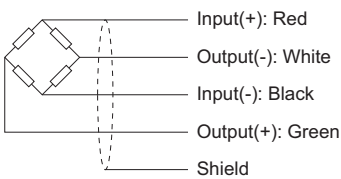
- Type:** Double Ended Beam
- Material:** Alloy Steel
- Surface:** Nickel Plated Treatment
- Protection:** IP 68
- Features:** Easy Installation
Reliable Performance
With Mounting Kit
- Application:** Weighbridge Road
Truck & Pallet Scales
Industrial Weighers



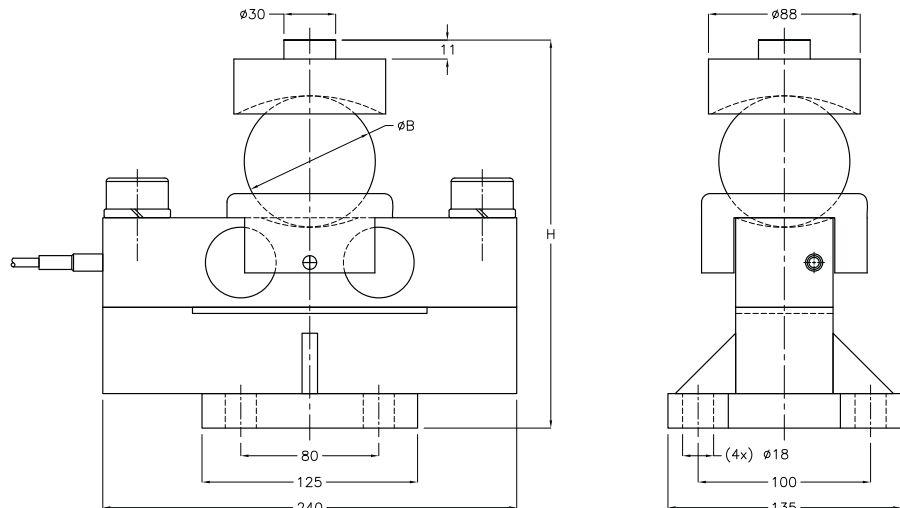
Specifications:

Capacity	t	10 / 20 / 25 / 30 / 40	
Accuracy Class		C3	A5
Max. Number of Verification Intervals	n _{max}	3000	5000
Minimum Load cell Verification Interval	V _{min}	E _{max} /10000	E _{max} /15000
Temperature Effect on Zero	%FS/10°C	≤ ± 0.019	≤ ± 0.014
Temperature Effect on Sensitivity	%FS/10°C	≤ ± 0.011	≤ ± 0.013
Combined Error	%FS	≤ ± 0.020	≤ ± 0.026
Creep	%FS	≤ ± 0.016	≤ ± 0.017
Output Sensitivity	mv/v	2.0 ± 0.002	
Input Resistance	Ω	700 ± 7	
Output Resistance	Ω	703 ± 4	
Insulation Resistance	MΩ	≥ 5000	
Zero Balance	%FS	1.5	
Temperature, Compensated	°C	-10 ~ +40	
Temperature, Operating	°C	-35 ~ +65	
Excitation, Recommended	v	5 ~ 12(DC)	
Safe Overload	%FS	120	
Ultimate Overload	%FS	150	
Standard Cable Length	m	12	

Dimensions:



CAP.(t)	B	H
10	50	195
20~40	76	225



All dimensions: mm.