

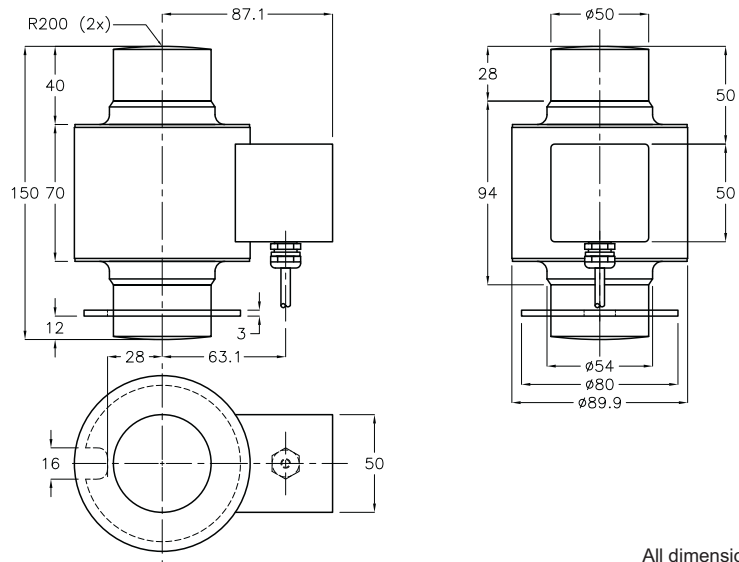
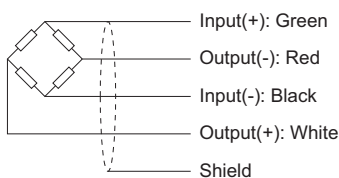
- Type:** Compression
- Material:** Stainless Steel
- Protection:** IP 68
- Features:** High Accuracy
- Application:** Weighbridge Road
Weighbridge Rail
Truck & Silo Scales
Hopper Weigher



Specifications:

Capacity	t	10 / 20 / 30 / 40 / 50	
Accuracy Class		C3	C4
Max. Number of Verification Intervals	n_{max}	3000	4000
Minimum Load cell Verification Interval	V_{min}	$E_{max}/12000$	$E_{max}/14000$
Temperature Effect on Zero	%FS/10°C	$\leq \pm 0.012$	$\leq \pm 0.010$
Temperature Effect on Sensitivity	%FS/10°C	$\leq \pm 0.011$	$\leq \pm 0.009$
Combined Error	%FS	$\leq \pm 0.020$	$\leq \pm 0.018$
Creep	%FS	$\leq \pm 0.016$	$\leq \pm 0.012$
Output Sensitivity	mv/v	2.0 ± 0.002	
Input Resistance	Ω	700 ± 7	
Output Resistance	Ω	703 ± 4	
Insulation Resistance	M Ω	≥ 5000	
Zero Balance	%FS	1.0	
Temperature, Compensated	°C	-10 ~ +40	
Temperature, Operating	°C	-40 ~ +80	
Excitation, Recommended	v	5 ~ 12(DC)	
Safe Overload	%FS	150	
Ultimate Overload	%FS	300	
Standard Cable Length	m	15	

Dimensions:



All dimensions: mm.