

Type: Tension & compression (S-type)

Material: Stainless Steel

Protection: IP 68

Features: Low Profile

Application: Hybrid Scales
Hopper Weighing
Materials Testing
Crane Scales
Hostile Environment
Lever Conversation

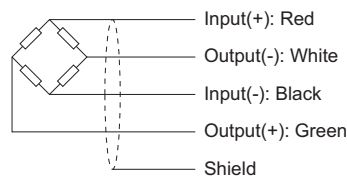
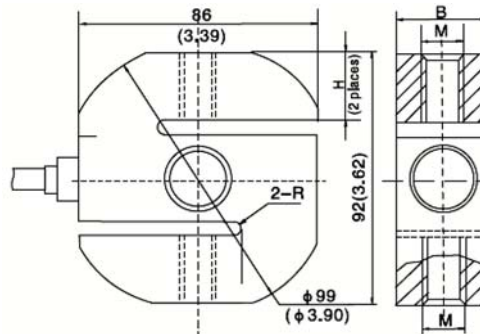
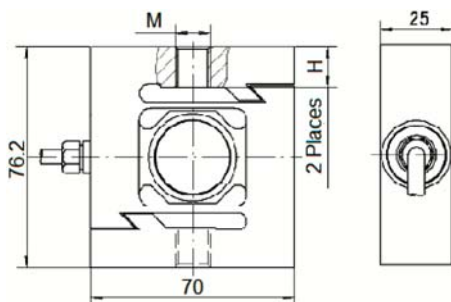


Specifications:

Capacity	t	0.05 / 0.1 / 0.15 / 0.2 / 0.25 / 0.5 / 1 / 2 / 3 / 4 / 5 / 6 / 7.5
Accuracy Class		C3
Max. Number of Verification Intervals	n _{max}	3000
Minimum Load cell Verification Interval	V _{min}	E _{max} /7500
Temperature Effect on Zero	%FS/10°C	≤ ± 0.0152
Temperature Effect on Sensitivity	%FS/10°C	≤ ± 0.0125
Combined Error	%FS	≤ ± 0.0200
Creep	%FS	≤ ± 0.0165
Output Sensitivity	mv/v	2.0 ± 0.008
Input Resistance	Ω	350 ± 3.5
Output Resistance	Ω	350 ± 3.5
Insulation Resistance	MΩ	≥ 5000
Zero Balance	%FS	≤ ± 1.5
Temperature, Compensated	°C	-10 ~ +40
Temperature, Operating	°C	-35 ~ +75
Excitation, Recommended	v	5 ~ 12(DC)
Safe Overload	%FS	150
Ultimate Overload	%FS	300
Standard Cable Length	m	6 (500kg: 3m)

Dimensions:

CAP.(t)	H	M
0.05,0.1	13	M8x1.25
0.15,0.2	14	M12x1.75



CAP.(t)	B	H	M
0.5	32	25	M12x1.75
1	32	25	M12x1.75
2	32	25	M20x1.5
3	32	25	M20x1.5
4	36	25	M20x1.5
5	50	24	M24x2
6	50	24	M24x2
7.5	50	24	M24x2

All dimensions: mm.