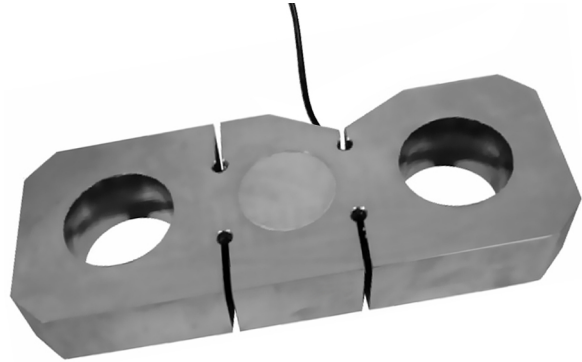


- Type:** Tension
- Material:** Alloy Steel
- Surface:** Nickel Plated Treatment
- Protection:** IP 67
- Features:** Suitable for Tension Applications

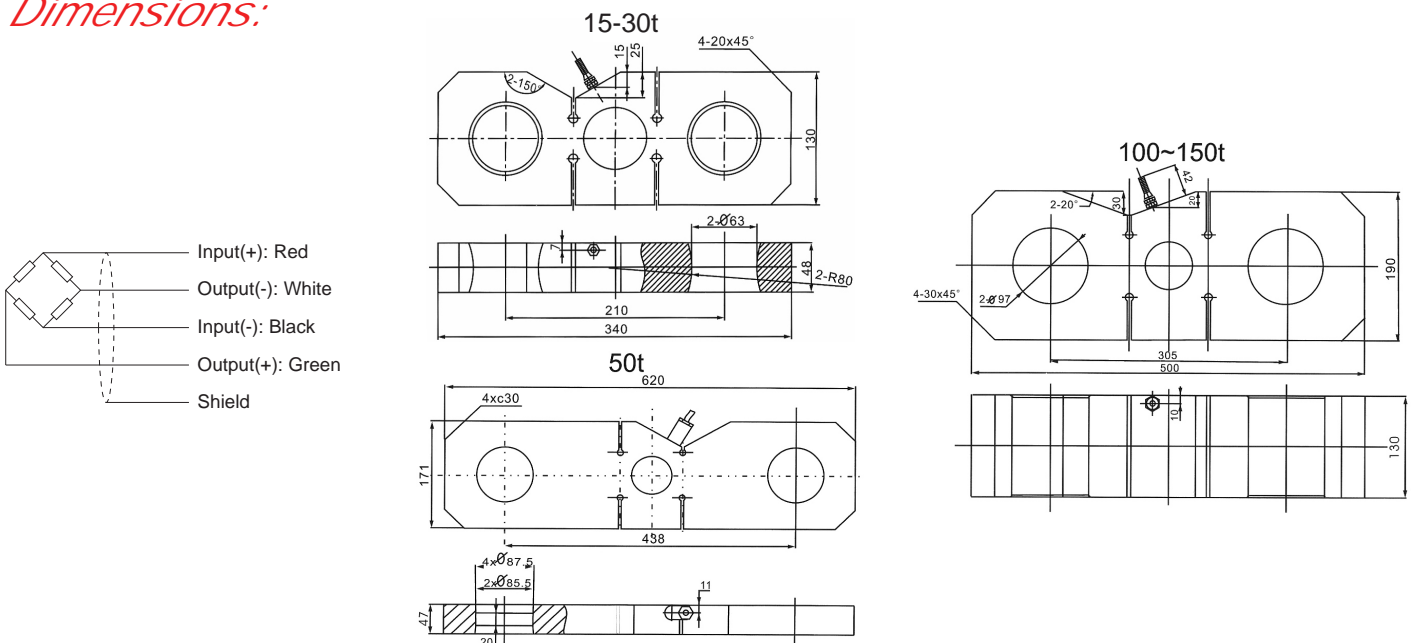
- Application:** Hook Scales
Hopper Scales
Packing Scale
Overload Limiter
Tension Testing Devices



Specifications:

Capacity	t	15 / 20 / 30 / 50 / 100 / 150
Accuracy Class		C2
Max. Number of Verification Intervals		2000
Minimum Load cell Verification Interval		$E_{max}/5000$
Temperature Effect on Zero	%FS/10°C	$\leq \pm 0.02$
Temperature Effect on Sensitivity	%FS/10°C	$\leq \pm 0.02$
Combined Error	%FS	$\leq \pm 0.05$
Creep Error (30 Minutes)	%FS	$\leq \pm 0.02$
Output Sensitivity	mv/v	2.0 \pm 0.005 (30t,50t) 1.5 \pm 0.01 (100t,150t)
Input Resistance	Ω	400 \pm 20
Output Resistance	Ω	350 \pm 3.5
Insulation Resistance	M Ω	≥ 5000
Zero Balance	%FS	1.0
Temperature, Compensated	°C	-10 ~ +50
Temperature, Operating	°C	-30 ~ +70
Excitation, Recommended	v	5 ~ 15(DC)
Safe Overload	%FS	120
Ultimate Overload	%FS	150
Standard Cable Length	m	12

Dimensions:



All dimensions: mm.