

Type: Single Ended Beam

Material: Stainless Steel

Protection: IP 68

Features: Low Profile
Anti-Explosion

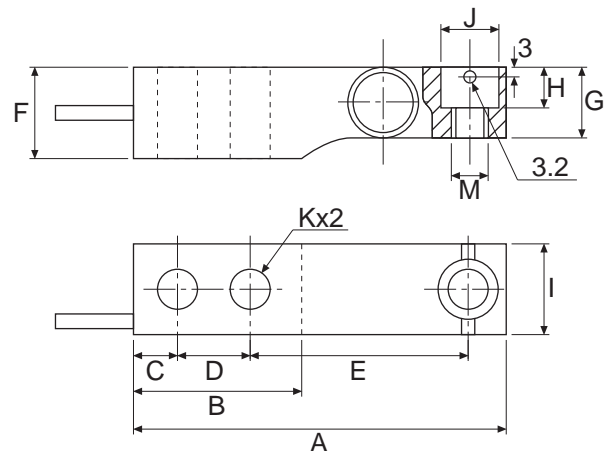
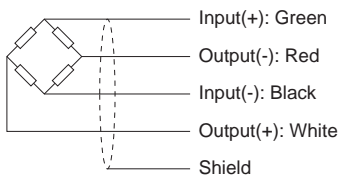
Application: Pallet Scales
Hopper Scales
Process Weighing
Food Industries
Overhead Track



Specifications:

Capacity	t	0.25 / 0.5 / 1 / 2 / 5	
Accuracy Class		C3	C4
Max. Number of Verification Intervals	n _{max}	3000	4000
Minimum Load cell Verification Interval	V _{min}	E _{max} /10000	E _{max} /14000
Temperature Effect on Zero	%FS/10°C	≤ ± 0.0165	≤ ± 0.0100
Temperature Effect on Sensitivity	%FS/10°C	≤ ± 0.0137	≤ ± 0.0095
Combined Error	%FS	≤ ± 0.0230	≤ ± 0.0175
Creep	%FS	≤ ± 0.0165	≤ ± 0.0138
Output Sensitivity	mv/v	2.0 ± 0.02	
Input Resistance	Ω	1000 ± 10	
Output Resistance	Ω	1005 ± 5	
Insulation Resistance	MΩ	≥ 5000	
Zero Balance	%FS	1.0	
Temperature, Compensated	°C	-10 ~ +40	
Temperature, Operating	°C	-30 ~ +70	
Excitation, Recommended	v	5 ~ 15(DC)	
Safe Overload	%FS	150	
Ultimate Overload	%FS	300	
Standard Cable Length	m	6.00	

Dimensions:



CAP.(t)	A	B	C	D	E	F	G	H	I	J	K	M
0.25	130	57	15.5	25.4	76.2	31.8	25.5	14.2	31.8	20.5	13	M12x1.75
0.5	130	57.1	15.5	25.4	76.2	31.8	26	14.2	31.8	20.5	13	M12x1.75
1.0	130	57.1	15.5	25.4	76.2	31.8	27.95	14.2	31.8	20.5	13	M12x1.75
2.0	130	57.1	15.5	25.4	76.2	35.9	31.95	14.2	31.8	20.5	13	M12x1.75
5.0	172	76.2	19.1	38.1	95.3	44	40	20	38	30.2	20.5	M20x2

All dimensions: mm.