

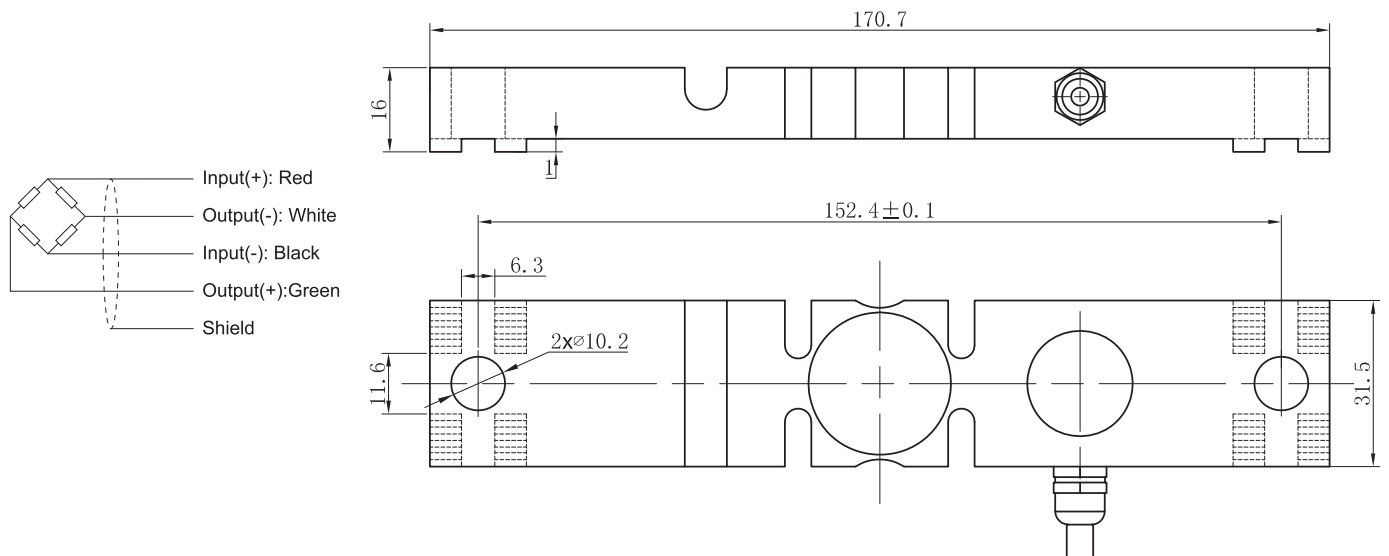
- Type:** Extensometer
- Material:** Alloy Steel
- Protection:** IP 66
- Features:** Suitable for harsh environment
Current calibration
- Application:** Tank Weighing
Agricultural Equipment
Rolling Mill
Bridge Structures



Specifications:

Temperature Effect On Zero	%FS/10°C	$\leq \pm 0.0100$
Temperature Effect in Sensitivity	%FS/10°C	$\leq \pm 0.0100$
Combined Error	%FS	$\leq \pm 1.0000$
Creep	%FS	$\leq \pm 0.0100$
Output Sensitivity	mv/v	1.65 ± 0.005
Input Resistance	Ω	400 ± 50
OutPut Resistance	Ω	352 ± 5
Insulation Resistance	M Ω	≥ 5000
Zero Palance	%FS	≤ 1.0
Temperature, Operating	°C	-30 ~ +70
Excitation, Recommended	V DC	10 ~ 12
Excitation, Maximum	V DC	15
Safe Overload	%FS	120
Ultimate Overload	%FS	150
Satndard Cable Length	m	5.00

Dimensions:



All dimensions: mm.