

Type: Tension & Compression (S-type)

Material: Stainless Steel

Protection: IP 68

Features: Low Profile

Application: Hybrid Scales
Hopper Weighing
Materials Testing
Crane Scales

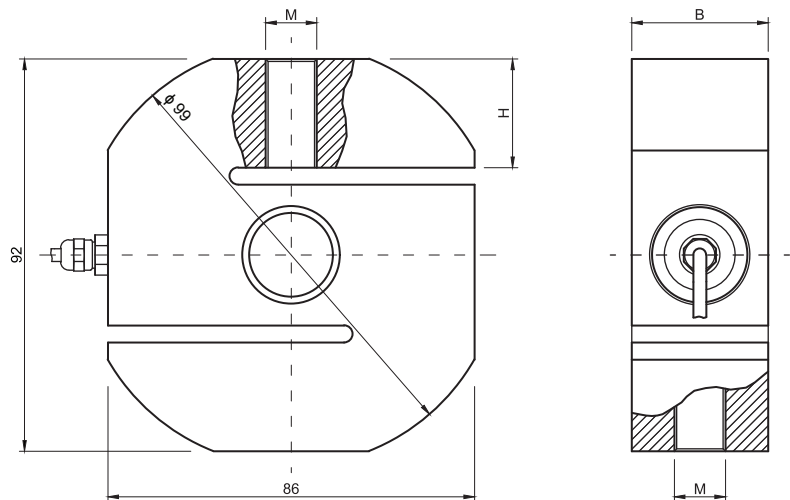
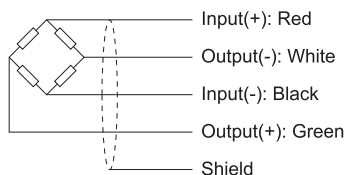


Specifications:

Capacity		500kg / 1.0t / 2.0t / 3.0t / 4.0t / 5.0t / 6.0t / 7.5t
Accuracy Class		C3
Max. Number of Verification Intervals	n_{max}	3000
Minimum Load Cell Verification Level	V_{min}	$E_{max}/10000$
Temperature Effect on Zero	%FS/10°C	$\leq \pm 0.0152$
Temperature Effect in Sensitivity	%FS/10°C	$\leq \pm 0.0125$
Combined Error	%FS	$\leq \pm 0.0200$
Creep	%FS	$\leq \pm 0.0165$
Output Sensitivity	mv/v	2.0 ± 0.004
Input Resistance	Ω	350 ± 3.5
Output Resistance	Ω	350 ± 3.5
Insulation Resistance	M Ω	≥ 5000
Zero Balance	%FS	≤ 1.5
Temperature, Compensated	°C	-10 ~ +40
Temperature, Operating	°C	-30 ~ +70
Excitation, Recommended	v	5 ~ 15
Safe Overload	%FS	150
Ultimate Overload	%FS	250
Standard Cable length	m	3.0 (500kg) / 6.0 (1.0t ~ 7.5t)

Dimensions:

CAP.(t)	B	H	M
0.5, 1	32	25	M12x1.75
2, 3	32	25	M20x1.5
4	36	25	M20x1.5
5 - 7.5	50	24	M24x2



All dimensions: mm.