

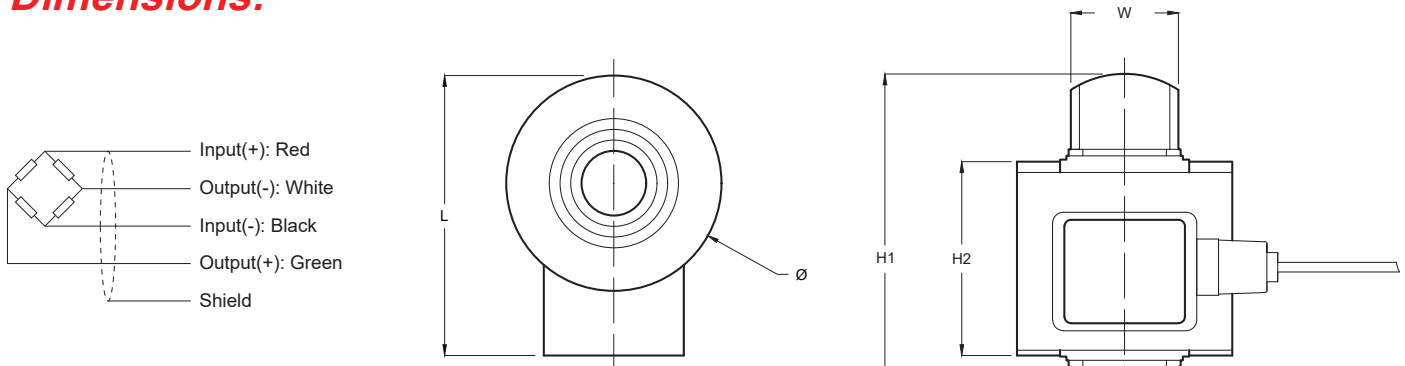
- Type:** Tension & Compression
- Material:** Stainless Steel
- Protection:** IP 68
- Features:** Hermetically Closed  
Lighting Surges Protection
- Application:** Hopper Scales  
Testing Machine



### Specifications:

Capacity		10t / 20t / 25t / 30t / 40t / 50t / 100t
Accuracy Class		<b>C3</b>
Max. Number of Verification Intervals	$n_{max}$	3000
Minimum Load Cell Verification Level	$V_{min}$	$E_{max}/10000$
Temperature Effect on Zero	%FS/10°C	$\leq \pm 0.0150$
Temperature Effect in Sensitivity	%FS/10°C	$\leq \pm 0.0110$
Combined Error	%FS	$\leq \pm 0.0200$
Creep	%FS	$\leq \pm 0.0165$
Output Sensitivity	mv/v	$1.5 \pm 0.002$
Input Resistance	$\Omega$	$700 \pm 7$
Output Resistance	$\Omega$	$703 \pm 4$
Insulation Resistance	M $\Omega$	$\geq 5000$
Zero Balance	%FS	$\leq 1.0$
Temperature, Compensated	°C	-10 ~ +50
Temperature, Operating	°C	-30 ~ +70
Excitation, Recommended	v	8 ~ 12
Safe Overload	%FS	150
Ultimate Overload	%FS	300
Standard Cable length	m	20

### Dimensions:



CAP.(t)	H1	H2	Φ	L	W	D
10-20	180	69.3	73	99.7	M36x3	200
25-30	200	70	88.9	115.6	M42x3	250
40-50	250	99.3	105	138.3	M56x4	300
100	350	131.9	152.4	183.9	M76x4	400

All dimensions: mm.