

- Type:** Compression
- Material:** Alloy Steel
- Protection:** IP68
- Features:** Anti-Corrosion
Low Profile
- Application:** Truck & Silo Scales
Hopper Weigher
Industrial Weighers

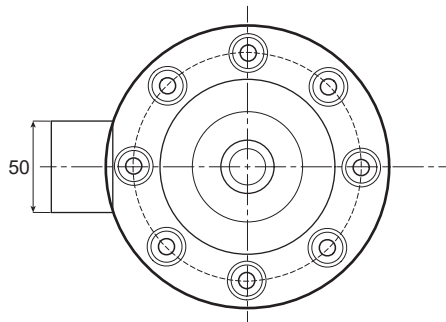
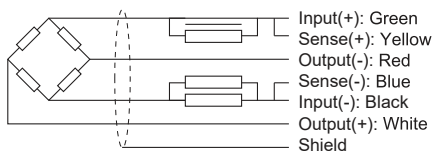
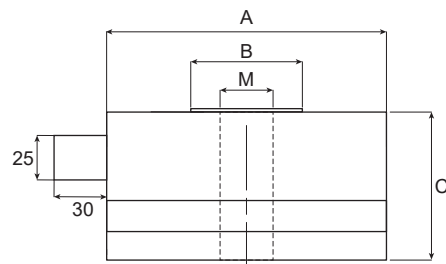


Specifications:

Capacity		0.5t / 1.0t / 2.0t / 3.0t / 5.0t / 10t	20t / 50t
Accuracy Class		C3	CC
Max. Number of Verification Intervals	n_{max}	3000	500
Minimum Load Cell Verification Level	v_{min}	$E_{max}/7500$	$E_{max}/1000$
Temperature Effect on Zero	%FS/10°C	$\leq \pm 0.0190$	$\leq \pm 0.2000$
Temperature Effect in Sensitivity	%FS/10°C	$\leq \pm 0.0110$	$\leq \pm 0.2000$
Combined Error	%FS	$\leq \pm 0.0200$	$\leq \pm 0.2000$
Creep	%FS	$\leq \pm 0.0160$	$\leq \pm 0.1000$
Output Sensitivity	mv/v	2.0 ± 0.002	
Input Resistance	Ω	350 ± 3	
Output Resistance	Ω	350 ± 3	
Insulation Resistance	M Ω	≥ 5000	
Zero Balance	%FS	≤ 1.0	
Temperature, Compensated	°C	-10 ~ +50	
Temperature, Operating	°C	-20 ~ +60	
Excitation, Recommended	v	5 ~ 12	
Safe Overload	%FS	150	
Ultimate Overload	%FS	300	
Standard Cable length	m	5.0	

Dimensions:

CAP.(t)	A	B	C	M
0.5~2.0	105	28	70	M14x2
3.0,5.0	120	33	80	M20x1.5
10,20	155	60.5	90	M32x2
50	200	75	120	M45x3



All dimensions: mm.