

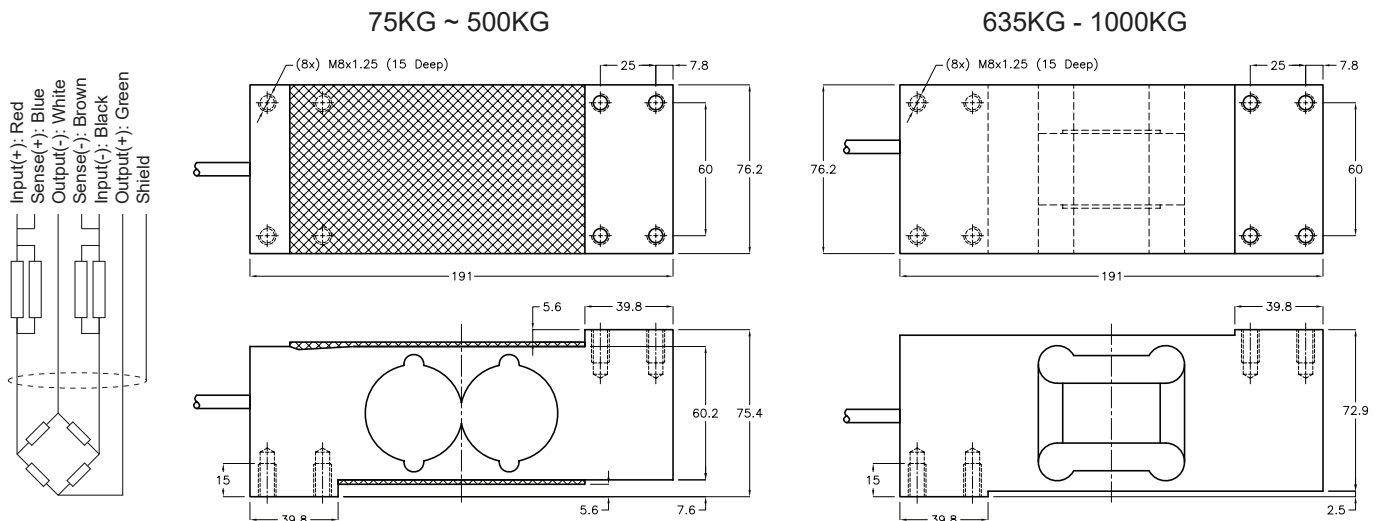
- Type:** Single Point
- Material:** Aluminum Alloy
- Surface:** Anodized Treatment
- Protection:** IP 65
- Features:** Suggested Platform
Size: 800x800 mm
- Application:** Platform Scales
Bench Scales
Bag Filing
Overhead Track Scales



Specifications:

Capacity		75kg / 150kg / 250kg / 500kg / 635kg / 1.0t	
Accuracy Class		C3	C4
Max. Number of Verification Intervals	n_{max}	3000	4000
Minimum Load Cell Verification Level	v_{min}	$E_{max}/7000$	$E_{max}/12000$
Temperature Effect on Zero	%FS/10°C	$\leq \pm 0.0205$	$\leq \pm 0.0138$
Temperature Effect in Sensitivity	%FS/10°C	$\leq \pm 0.0178$	$\leq \pm 0.0152$
Combined Error	%FS	$\leq \pm 0.0200$	$\leq \pm 0.0175$
Creep	%FS	$\leq \pm 0.0170$	$\leq \pm 0.0160$
Output Sensitivity	mv/v	2.0 ± 0.3	
Input Resistance	Ω	410 ± 5	
Output Resistance	Ω	350 ± 3.5	
Insulation Resistance	M Ω	≥ 5000	
Zero Balance	%FS	≤ 2.0	
Temperature, Compensated	°C	-10 ~ +40	
Temperature, Operating	°C	-20 ~ +50	
Excitation, Recommended	v	5 ~ 15	
Safe Overload	%FS	150	
Ultimate Overload	%FS	300	
Standard Cable length	m	3.0	

Dimensions:



All dimensions: mm.