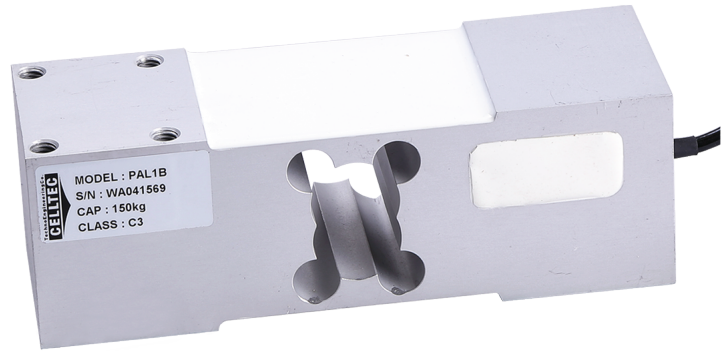


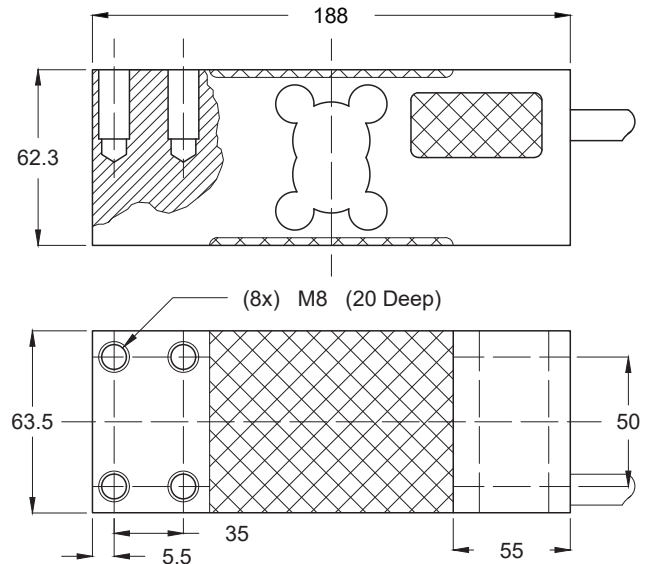
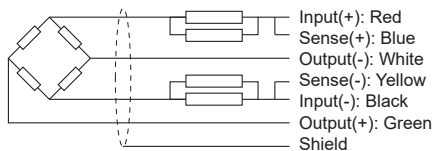
- Type:** Single Point
- Material:** Aluminum Alloy
- Surface:** Anodized Treatment
- Protection:** IP 65
- Features:** Suggested Platform Size: 600x600 mm
- Application:** Platform Scales  
Bench Scales  
Bag Filing  
Overhead Track Scales



### Specifications:

Capacity		50kg / 75kg / 100kg / 150kg / 200kg / 250kg / 300kg 500kg / 635kg / 750kg / 1.0t
Accuracy Class		<b>C3</b>
Max. Number of Verification Intervals	$n_{max}$	3000
Minimum Load Cell Verification Level	$v_{min}$	$E_{max}/7000$
Temperature Effect on Zero	%FS/10°C	$\leq \pm 0.0205$
Temperature Effect in Sensitivity	%FS/10°C	$\leq \pm 0.0178$
Combined Error	%FS	$\leq \pm 0.0200$
Creep	%FS	$\leq \pm 0.0170$
Output Sensitivity	mv/v	$2.0 \pm 0.3$
Input Resistance	$\Omega$	$405 \pm 5$
Output Resistance	$\Omega$	$350 \pm 3.5$
Insulation Resistance	M $\Omega$	$\geq 5000$
Zero Balance	%FS	$\leq 2.0$
Temperature, Compensated	°C	-10 ~ +40
Temperature, Operating	°C	-20 ~ +50
Excitation, Recommended	v	5 ~ 15
Safe Overload	%FS	150
Ultimate Overload	%FS	300
Standard Cable length	m	3.0

### Dimensions:



All dimensions: mm.