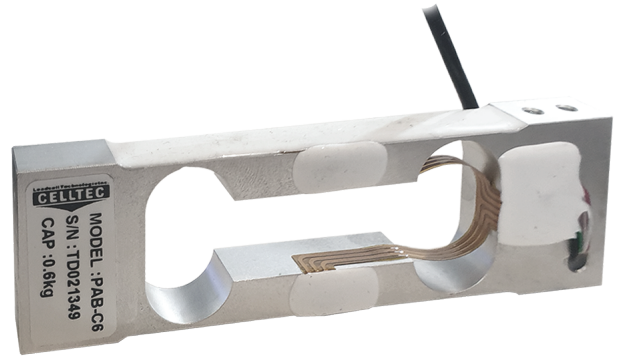


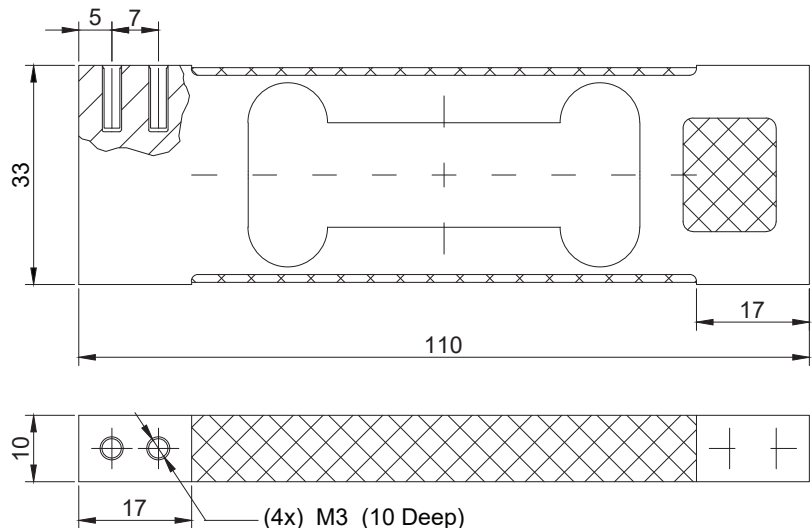
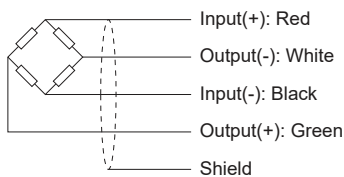
- Type:** Single Point
- Material:** Aluminum Alloy
- Surface:** Anodized Treatment
- Protection:** IP 65
- Features:** Suggested Platform  
Size: 200 x 200 mm
- Application:** Bench & Counting Scales  
Bagging Machine  
Check Weigher



### Specifications:

|                                       |            |   |                   |
|---------------------------------------|------------|---|-------------------|
| Capacity                              |            | 0.3kg / 0.6kg / 1kg / 1.2kg / 1.5kg / 3kg |                   |
| Accuracy Class                        |            | <b>C3</b>                                 | <b>C6</b>         |
| Max. Number of Verification Intervals | $n_{max}$  | 3000                                      | 6000              |
| Minimum Load Cell Verification Level  | $v_{min}$  | $E_{max}/10000$                           | $E_{max}/25000$   |
| Temperature Effect on Zero            | %FS/10°C   | $\leq \pm 0.0300$                         | $\leq \pm 0.0200$ |
| Temperature Effect in Sensitivity     | %FS/10°C   | $\leq \pm 0.0300$                         | $\leq \pm 0.0200$ |
| Combined Error                        | %FS        | $\leq \pm 0.0100$                         | $\leq \pm 0.0050$ |
| Creep                                 | %FS        | $\leq \pm 0.0150$                         | $\leq \pm 0.0120$ |
| Output Sensitivity                    | mv/v       | $0.9 \pm 0.1$                             |                   |
| Input Resistance                      | $\Omega$   | $405 \pm 7$                               |                   |
| Output Resistance                     | $\Omega$   | $350 \pm 3.5$                             |                   |
| Insulation Resistance                 | M $\Omega$ | $\geq 5000$                               |                   |
| Zero Balance                          | %FS        | $\leq 2.0$                                |                   |
| Temperature, Compensated              | °C         | $-10 \sim +40$                            |                   |
| Temperature, Operating                | °C         | $-20 \sim +50$                            |                   |
| Excitation, Recommended               | v          | $5 \sim 15$                               |                   |
| Safe Overload                         | %FS        | 120                                       |                   |
| Ultimate Overload                     | %FS        | 150                                       |                   |
| Standard Cable length                 | m          | 0.4                                       |                   |

### Dimensions:



All dimensions: mm.