

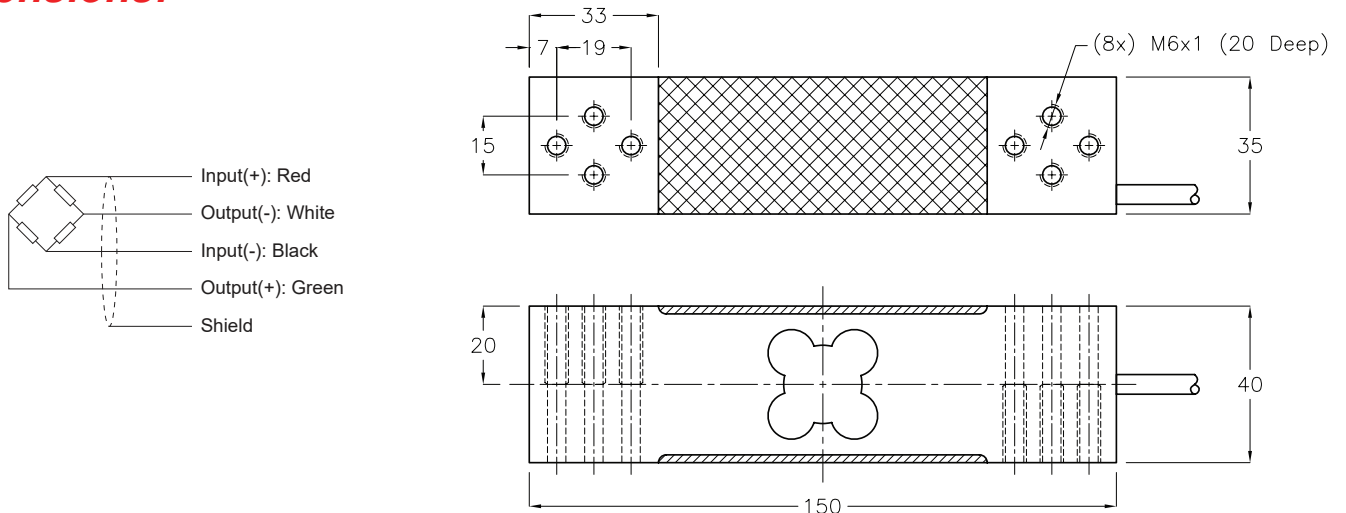
- Type:** Single Point
- Material:** Aluminum Alloy
- Surface:** Anodized Treatment
- Protection:** IP 65
- Features:** Suggested Platform  
Size: 400x400 mm
- Application:** Bench & Counting Scales  
Bagging Machine  
Check Weighers



### Specifications:

Capacity		50kg / 100kg / 150kg / 200kg / 250kg / 300kg	
Accuracy Class		C3	C5
Max. Number of Verification Intervals	$n_{max}$	3000	5000
Minimum Load Cell Verification Level	$v_{min}$	$E_{max}/10000$	$E_{max}/20000$
Temperature Effect on Zero	%FS/10°C	$\leq \pm 0.0205$	$\leq \pm 0.0090$
Temperature Effect in Sensitivity	%FS/10°C	$\leq \pm 0.0178$	$\leq \pm 0.0115$
Combined Error	%FS	$\leq \pm 0.0200$	$\leq \pm 0.0120$
Creep	%FS	$\leq \pm 0.0170$	$\leq \pm 0.0148$
Output Sensitivity	mv/v	$2.0 \pm 0.3$	
Input Resistance	$\Omega$	$405 \pm 5$	
Output Resistance	$\Omega$	$350 \pm 3.5$	
Insulation Resistance	M $\Omega$	$\geq 5000$	
Zero Balance	%FS	$\leq 2.0$	
Temperature, Compensated	°C	-10 ~ +40	
Temperature, Operating	°C	-20 ~ +50	
Excitation, Recommended	v	5 ~ 15	
Safe Overload	%FS	150	
Ultimate Overload	%FS	300	
Standard Cable length	m	2.0	

### Dimensions:



All dimensions: mm.