

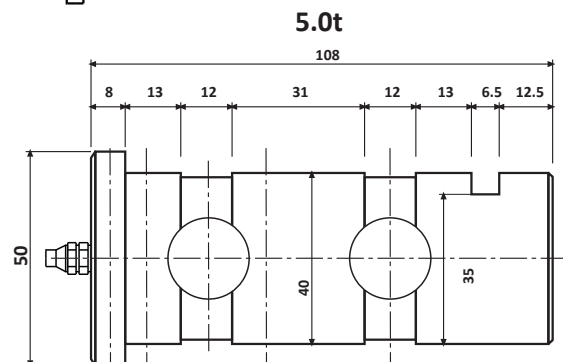
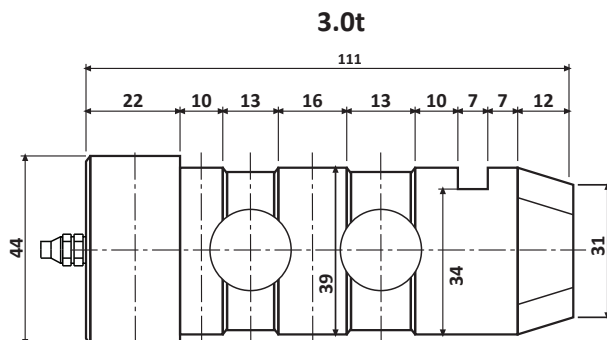
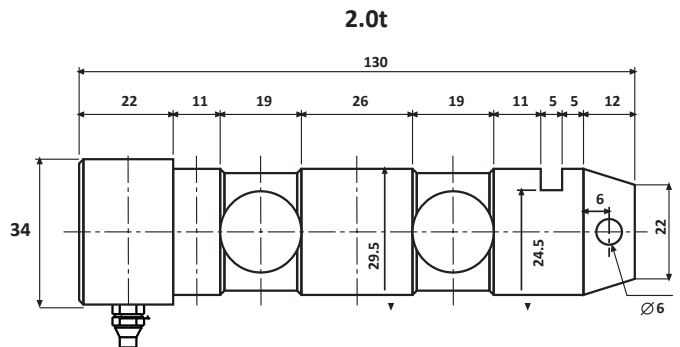
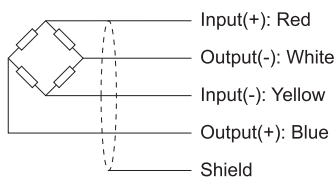
- Type:** Double Ended Beam
- Material:** Alloy Steel
- Protection:** IP 67
- Application:** Crane weighing systems where the load applied on a pin such as: crane overload control



Specifications:

Capacity		2.0t / 3.0t / 5.0t
Max. Number of Verification Intervals		200
Temperature Effect on Zero	%FS/10°C	≤ ± 0.1000
Temperature Effect in Sensitivity	%FS/10°C	≤ ± 0.1000
Combined Error	%FS	≤ ± 0.5000
Creep	%FS	≤ ± 0.0500
Output Sensitivity	mv/v	1.0 ± 0.01 (1.6 ± 0.01 for 3.0t)
Input Resistance	Ω	750 ± 3 (750 ± 20 for 5t)
Output Resistance	Ω	703 ± 3
Insulation Resistance	MΩ	≥ 5000
Zero Balance	%FS	≤ 1.0 / (2.0 for 3.0t)
Temperature, Compensated	°C	-10 ~ +40
Temperature, Operating	°C	-35 ~ +65
Excitation, Recommended	v	5 ~ 15
Safe Overload	%FS	150 (120 for 5.0t)
Ultimate Overload	%FS	200 (150 for 5.0t)
Standard Cable length	m	6.0 (7.0 for 5.0t)

Dimensions:



All dimensions: mm.