

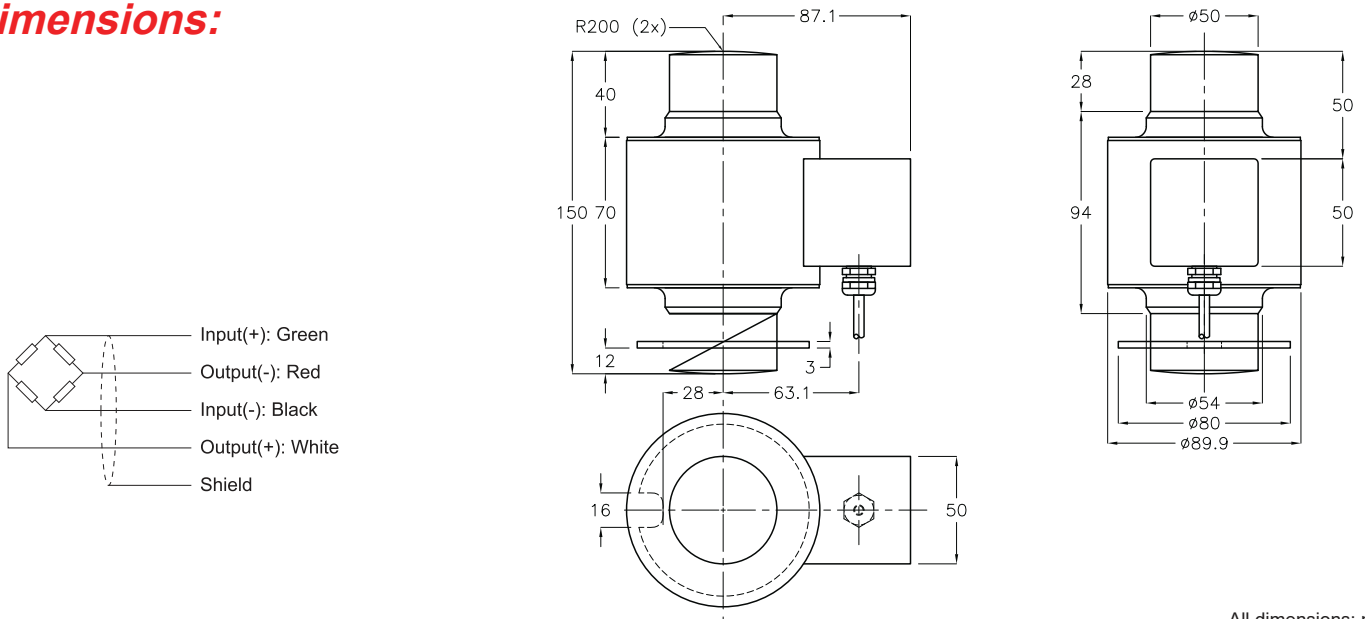
- Type:** Compression
- Material:** Stainless Steel
- Protection:** IP 68
- Features:** High Accuracy
- Application:** Weighbridge Road  
Weighbridge Rail  
Truck & Silo Scales  
Hopper Weigher



### Specifications:

Capacity		10t / 20t / 30t / 40t / 50t	
Accuracy Class		<b>C3</b>	<b>C4</b>
Max. Number of Verification Intervals	$n_{max}$	3000	4000
Minimum Load Cell Verification Level	$v_{min}$	$E_{max}/12000$	$E_{max}/14000$
Temperature Effect on Zero	%FS/10°C	$\leq \pm 0.0120$	$\leq \pm 0.0100$
Temperature Effect in Sensitivity	%FS/10°C	$\leq \pm 0.0110$	$\leq \pm 0.0090$
Combined Error	%FS	$\leq \pm 0.0200$	$\leq \pm 0.0180$
Creep	%FS	$\leq \pm 0.0160$	$\leq \pm 0.0120$
Output Sensitivity	mv/v	$2.0 \pm 0.002$	
Input Resistance	$\Omega$	$700 \pm 7$	
Output Resistance	$\Omega$	$703 \pm 4$	
Insulation Resistance	M $\Omega$	$\geq 5000$	
Zero Balance	%FS	$\leq 1.0$	
Temperature, Compensated	°C	-10 ~ +40	
Temperature, Operating	°C	-40 ~ +80	
Excitation, Recommended	v	5 ~ 12	
Safe Overload	%FS	150	
Ultimate Overload	%FS	300	
Standard Cable length	m	15.0	

### Dimensions:



All dimensions: mm.