

**Type:** Loadcell Mounting (For BSR)

**Material:** Stainless Steel

**Features:** Lift-off protection  
Self aligning construction  
Easy load cell access

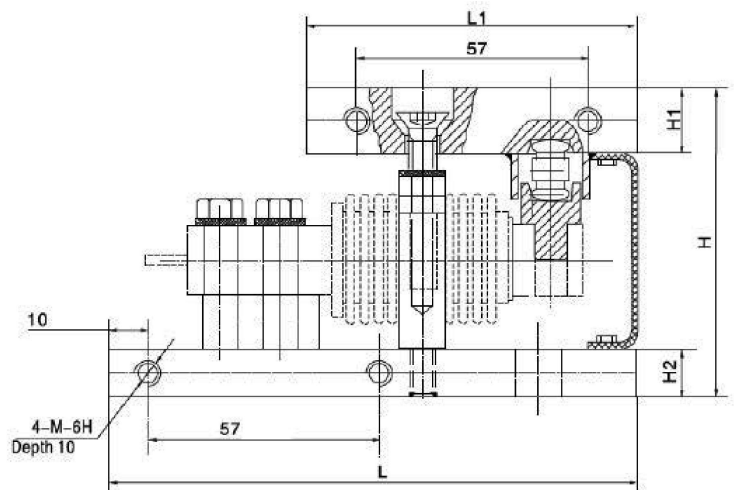
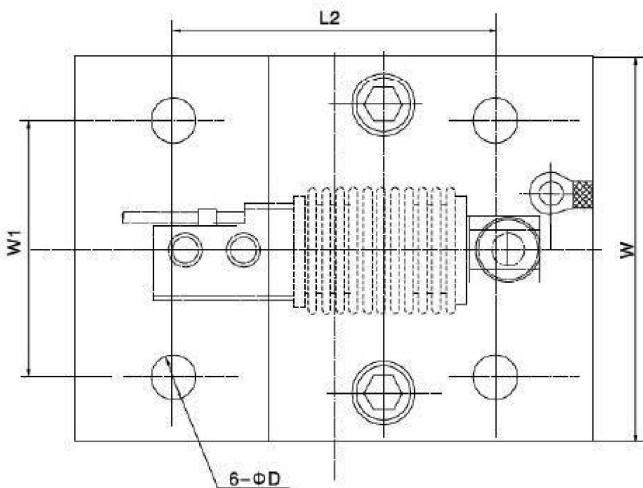
**Application:** Pallet Scales  
Hopper Scales  
Process Weighing  
Food Industries  
Overhead Track



**Specifications:**

<b>Capacity</b>	kg	20 \ 30 \ 50 \ 100 \ 200	350 / 500
<b>Maximum vertical force (down)</b>	kN	10	30
<b>Maximum vertical force (up)</b>	kN	5	10
<b>Maximum horizontal force</b>	kN	5	15
<b>Maximum horizontal movement</b>	mm	± 1	± 1

**Dimensions:**



CAP.(kg)	H	H1	H2	L	L1	L2	W	W1	D	M
20-200	77	12	12	130	75	95	90	60	9	M5
350,500	90	20	15	160	100	100	120	80	14	M8

All dimensions: mm.