

**Type:** Single Ended Beam

**Material:** Stainless Steel

**Protection:** IP 68

**Features:** Low Profile  
Nice Exterior

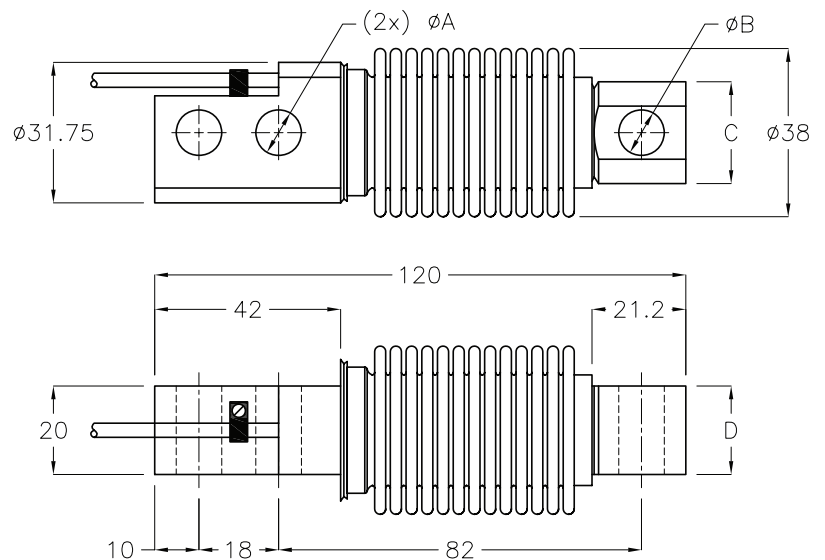
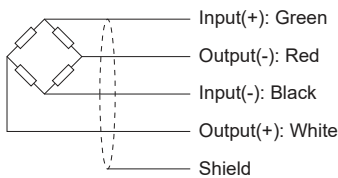
**Application:** Belt Weighing  
Hostile Environments  
Loss in Weight Feeders  
Marine Scales  
Food Industries



### Specifications:

Capacity		10kg / 20kg / 50kg / 100kg / 200kg / 350kg / 500kg	
Accuracy Class		C3	C4
Max. Number of Verification Intervals	$n_{max}$	3000	4000
Minimum Load Cell Verification Level	$v_{min}$	$E_{max}/10000$	$E_{max}/15000$
Temperature Effect on Zero	%FS/10°C	$\leq \pm 0.0205$	$\leq \pm 0.0115$
Temperature Effect in Sensitivity	%FS/10°C	$\leq \pm 0.0120$	$\leq \pm 0.0095$
Combined Error	%FS	$\leq \pm 0.0230$	$\leq \pm 0.0175$
Creep	%FS	$\leq \pm 0.0168$	$\leq \pm 0.0136$
Output Sensitivity	mv/v	$2.0 \pm 0.02$	
Input Resistance	$\Omega$	$450 \pm 50$	
Output Resistance	$\Omega$	$351 \pm 3.5$	
Insulation Resistance	M $\Omega$	$\geq 5000$	
Zero Balance	%FS	$\leq 1.0$	
Temperature, Compensated	°C	$-10 \sim +40$	
Temperature, Operating	°C	$-30 \sim +70$	
Excitation, Recommended	v	$5 \sim 15$	
Safe Overload	%FS	150	
Ultimate Overload	%FS	250	
Standard Cable length	m	3.0	

### Dimensions:



CAP.(kg)	A	B	C	D
20,30,50,100,200	8.2	8.2	23	20
350,500	10.3	10.3	24	19

All dimensions: mm.