

- Type:** Single Ended Beam
- Material:** Alloy Steel
- Surface:** Nickel Plated Treatment
- Protection:** IP 67
- Features:** Low Profile
Anti-Explosion
- Application:** Pallet Scales
Hopper Scales
Process Weighing
Food Industries
Overhead Track

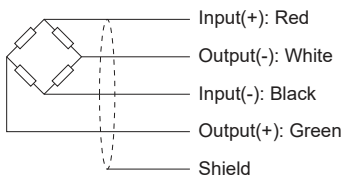
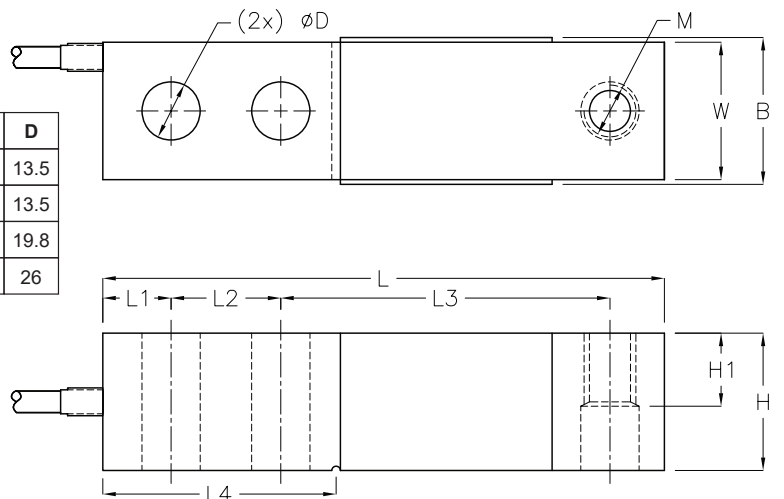


Specifications:

		100kg / 500kg / 750kg 1.0t / 1.5t / 2.0t / 2.5t / 3.0t / 5.0t / 10t	
		C3	C5
Capacity			
Accuracy Class			
Max. Number of Verification Intervals	n_{max}	3000	5000
Minimum Load Cell Verification Level	v_{min}	$E_{max}/10000$	$E_{max}/20000$
Temperature Effect on Zero	%FS/10°C	$\leq \pm 0.0165$	$\leq \pm 0.0090$
Temperature Effect in Sensitivity	%FS/10°C	$\leq \pm 0.0137$	$\leq \pm 0.0110$
Combined Error	%FS	$\leq \pm 0.0200$	$\leq \pm 0.0140$
Creep	%FS	$\leq \pm 0.0165$	$\leq \pm 0.0148$
Output Sensitivity	mv/v	3.0 ± 0.01	
Input Resistance	Ω	350 ± 3.5	
Output Resistance	Ω	351 ± 3.5	
Insulation Resistance	M Ω	≥ 5000	
Zero Balance	%FS	≤ 1.0	
Temperature, Compensated	°C	-10 ~ +40	
Temperature, Operating	°C	-30 ~ +70	
Excitation, Recommended	v	5 ~ 15	
Safe Overload	%FS	150	
Ultimate Overload	%FS	300	
Standard Cable length	m	4.0 (500kg ~ 2.0t) / 6.0 (2.5t ~ 10t)	

Dimensions:

CAP.(t)	L	L1	L2	L3	L4	H	H1	W	B	M	D
0.1-0.25	130	15.8	25.4	76.2	54.2	31.8	15.8	31.8	37	M12x1.75	13.5
0.5-2	130	15.8	25.4	76.2	54.2	31.8	15.8	31.8	34	M12x1.75	13.5
2.5-5	171.5	19.1	38.1	95.3	77.2	38.1	18.8	38.1	40	M18x1.5	19.8
10	222.3	24.5	50.8	120.7	101.6	50.8	25.4	50.8	52.4	M24x2	26



All dimensions: mm.